

DGK7F Generator

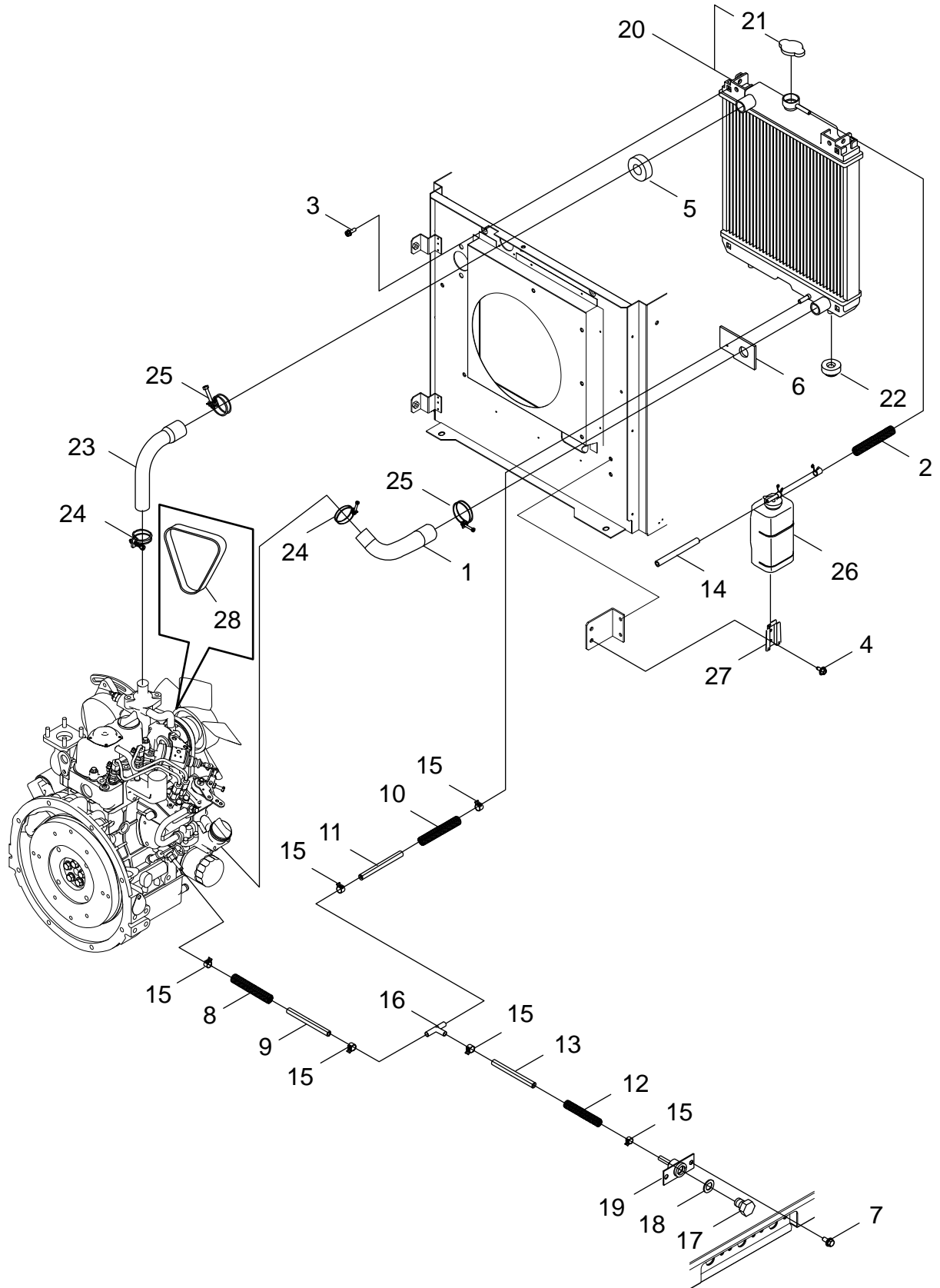


SERIAL NUMBERS

D17601000001 - D17601000020

RADIATOR ASSEMBLY	2	ENGINE PARTS	20
RADIATOR ASSEMBLY	3	ENGINE PARTS	21
AIR AND MUFFLER ASSEMBLY	4	ALTERNATOR	22
AIR AND MUFFLER ASSEMBLY	5	ALTERNATOR	23
FUEL TANK, OIL CONTAINMENT	6	MAIN CONTROL PANEL	24
FUEL TANK, OIL CONTAINMENT	7	MAIN CONTROL PANEL	25
FUEL LINES	8	MAIN BREAKER AND CONTROL BOX	26
FUEL LINES	9	MAIN BREAKER AND CONTROL BOX	27
ENCLOSURE FRAME	10	POWER OUTPUT TERMINALS	28
ENCLOSURE FRAME	11	POWER OUTPUT TERMINALS	29
FRONT ENCLOSURE	12	LABELS	30
FRONT ENCLOSURE	13	LABELS	31
BASE, FRAME	14	REAR ENCLOSURE FRAME INSUALTION	32
BASE, FRAME	15	REAR ENCLOSURE FRAME INSULATION	33
RIGHT ENCLOSURE	16	RIGHT ENCLOSURE INSULATION	34
RIGHT ENCLOSURE	17	RIGHT ENCLOSURE INSULATION	35
TOP ENCLOSURE	18	LEFT ENCLOSURE INSULATION	36
TOP ENCLOSURE	19	LEFT ENCLOSURE INSULATION	37

RADIATOR ASSEMBLY

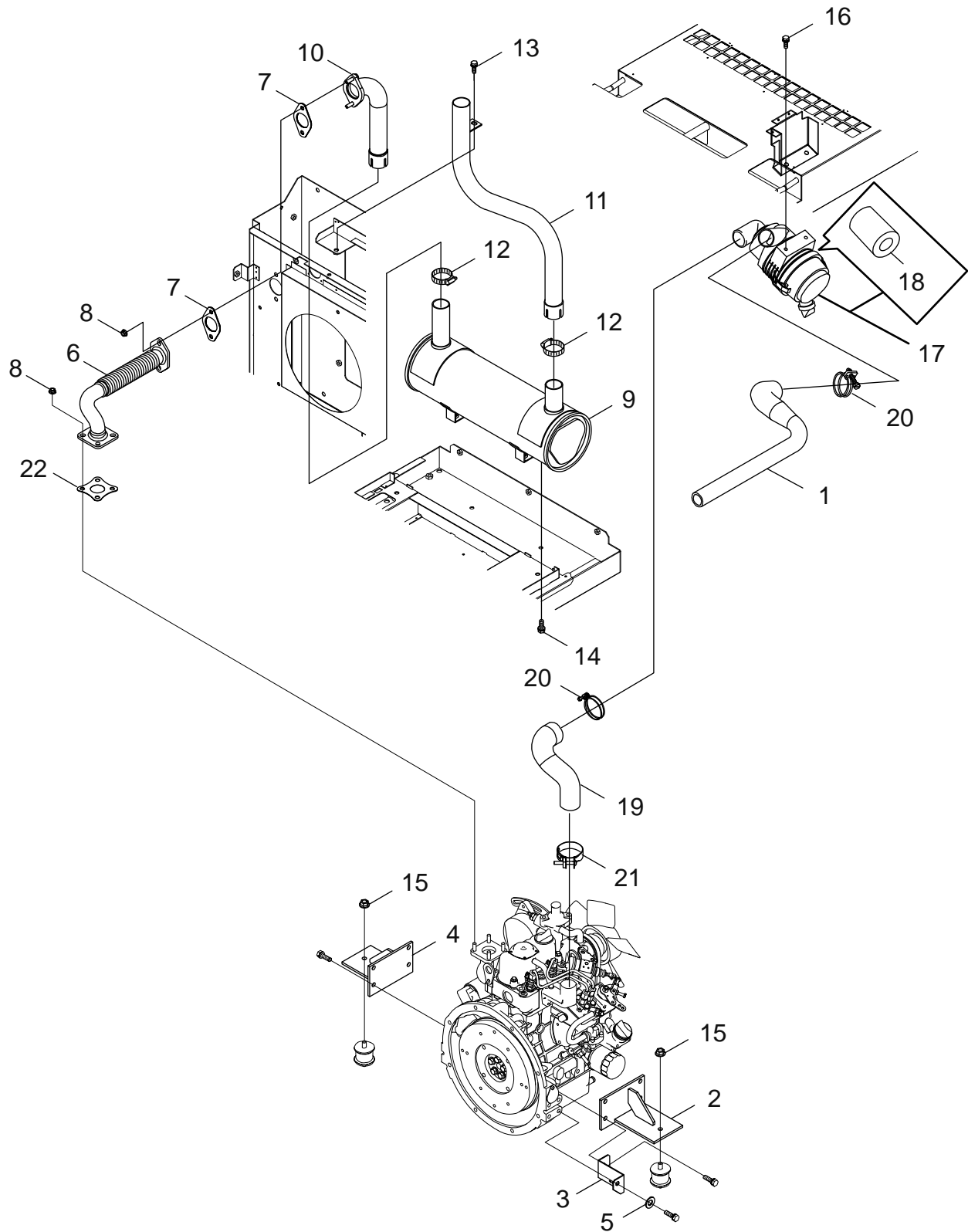


+ Denotes item is part of an assembly
 ++ Denotes item is part of a sub-assembly

RADIATOR ASSEMBLY

NO.	PART NUMBER	QTY.	DESCRIPTION	
1	G203000570	1	HOSE,RADIATOR	
2	V475007860	1	TUBE	
3	9103606020	2	BOLT SW,M6X20	
4	V204002040	2	BOLT,M6X16	
5	V542000040	1	SEAL,T20X50X25	
6	V542000090	1	SEAL	
7	V205001420	2	BOLT,M8X20-SPW	
8	V476001170	1	TUBE	
9	966170440	1	TUBE,FUEL	ENGINE(COOLANT) - T-JOINT
10	V476000270	1	TUBE,13XL200	
11	966170260	1	TUBE,7.3X12.5X260 FUEL	RADIATOR - T-JOINT
12	V476001320	1	TUBE	
13	966170180	1	TUBE,FUEL	T-JOINT - COOLANT DRAIN
14	966170460	1	TUBE,7.3X12.5X460 FUEL	SUB TANK
15	1491142750	6	CLIP,PIPE	
16	3N60042170	1	JOINT,T TYPE	
17	1522133750	1	PLUG,M12X1.25	
18	6C09058960	1	GASKET	
19	1K12533743	1	DRAIN PIPE JOINT	
20	1J32172060	1	ASSY,RADIATOR W/CAP	
21	1721472020	1	+CAP ASSY	
22	6C04058580	2	CUSHION	
23	1G31972940	1	HOSE,UPPER WATER	
24	931889030	2	CLAMP,HOSE	
25	931889039	2	CLAMP,HOSE	
26	1K12572400	1	ASSY TANK,RESERVE	
27	1198272461	1	TANK BRACKET	
28	1747297010	1	V BELT	

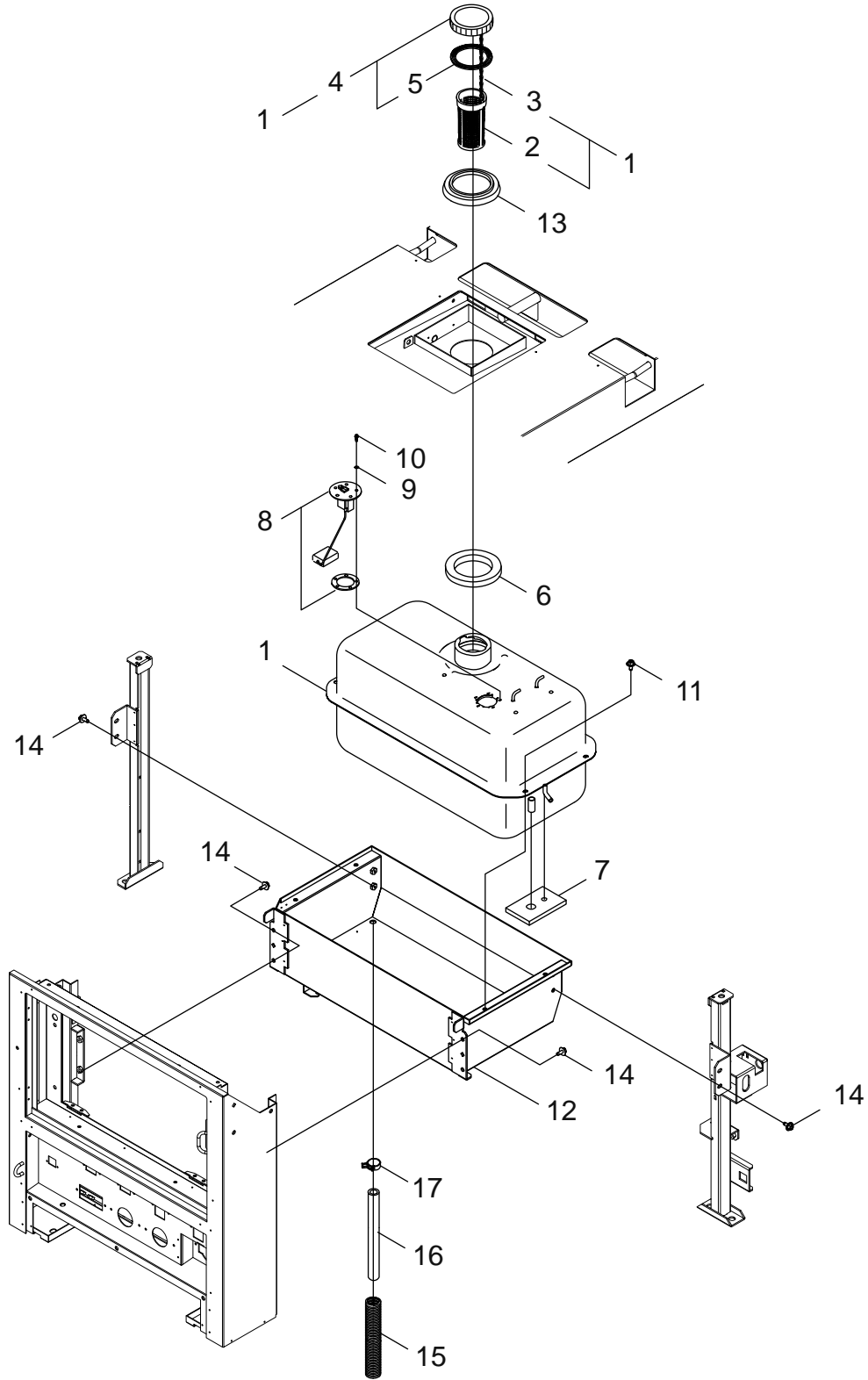
AIR AND MUFFLER ASSEMBLY



AIR AND MUFFLER ASSEMBLY

NO.	PART NUMBER	QTY.	DESCRIPTION
1	G213000630	1	HOSE,AIR
2	G121000680	1	STAY,ENGINE
3	C527001430	1	STAY
4	G121000690	1	STAY,ENGINE
5	90061700010	1	WASHER,M10
6	G231001130	1	PIPE,EXHAUST
7	V104001740	2	GASKET
8	V265000290	6	FLANGE NUT,M8 SERRATED
9	A300001430	1	MUFFLER
10	G231001140	1	PIPE,EXHAUST
11	G231000850	1	PIPE,EXHAUST (MUFFLER OUT)
12	V495002100	2	CLAMP
13	V205001420	1	BOLT,M8X20-SPW
14	V205001170	4	BOLT,M8X20-SPW
15	V266000130	2	FLANGE NUT,M10 SERRATED
16	V205001170	2	BOLT,M8X20-SPW
17	1G31811012	1	ASSY CLEANER,AIR
18	1G65911220	1	+ELEMENT,AIR CLEANER
19	1J32111620	1	HOSE,1 INLET AIR CLEANER
20	1522111720	2	BAND,PIPE
21	1526111720	1	BAND,PIPE
22	1526312371	1	PACKING,MUFFLER

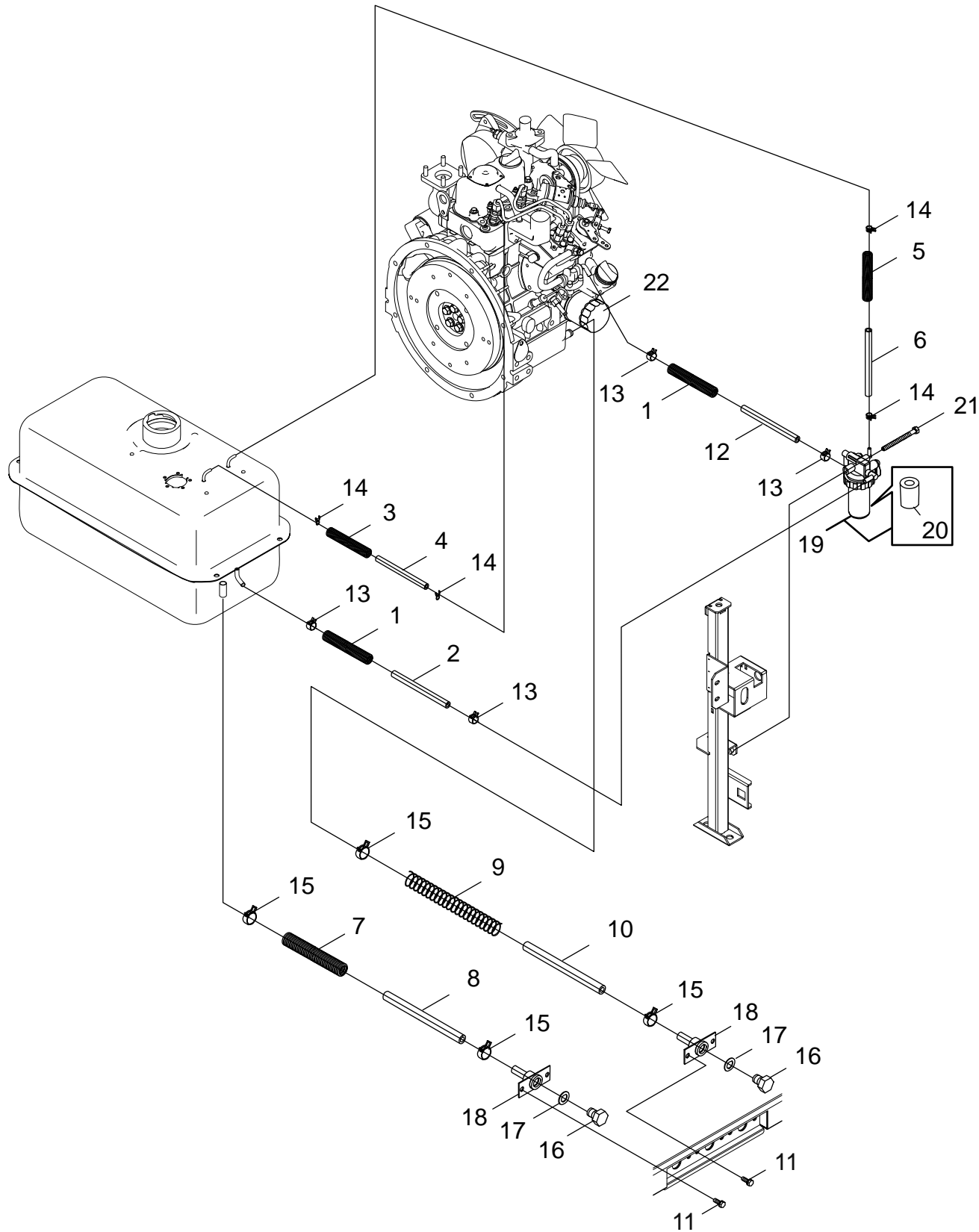
FUEL TANK, OIL CONTAINMENT



FUEL TANK, OIL CONTAINMENT

NO.	PART NUMBER	QTY.	DESCRIPTION	
1	G250001120	1	TANK,FUEL	
2	A369000180	1	+STRAINER,FUEL INLET	
3	V489000120	1	+CHAIN,FUEL INLET	
4	G255000110	1	+TANK CAP,FUEL INLET	
5	V107000140	1	++PACKING,FUEL INLET	
6	V540000360	1	SHEET,T10XØ75XØ110	
7	V542000100	1	SEAL	
8	E325000100	1	FUEL GAUGE	
9	V500000020	5	WASHER,OIL SEAL	
10	9146305012	5	SCREW,M5X12 TRUSS	
11	V204002040	4	BOLT,M6X16	
12	G126000620	1	BRACKET,TANK	
13	V145000510	1	BUSHING,FUEL INLET TANK	
14	V204002040	8	BOLT,M6X16	
15	V475007230	1	TUBE,22XL300	
16	1259733770	1	TUBE,13X20X400	FUEL TANK BRACKET - SPILL CONTAINMENT
17	931888185	1	CLAMP,HOSE	

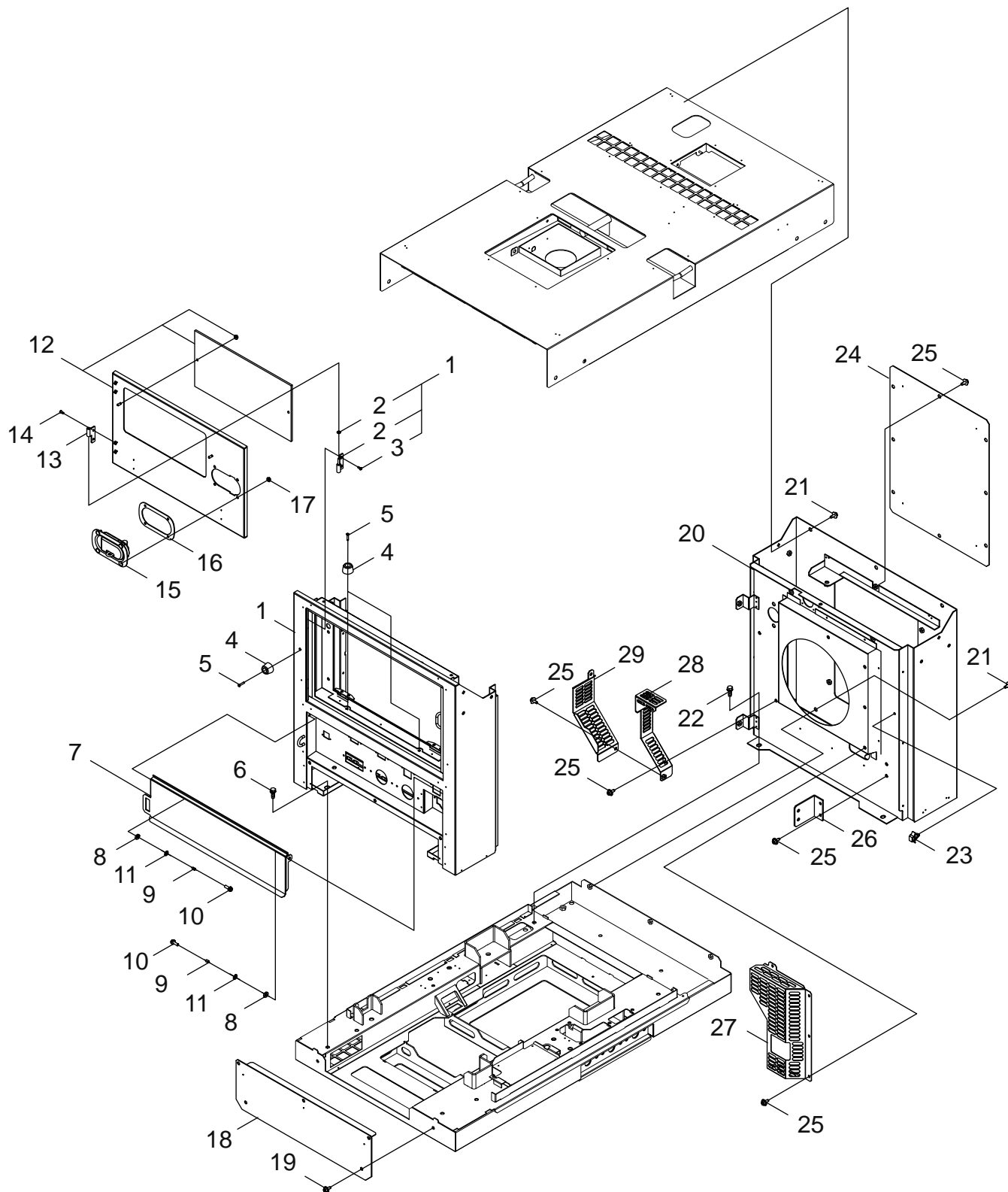
FUEL LINES



FUEL LINES

NO.	PART NUMBER	QTY.	DESCRIPTION	
1	V476001190	2	TUBE	
2	966170280	1	TUBE,FUEL	FUEL TANK - FUEL FILTER
3	V476001140	1	TUBE	
4	966140480	1	TUBE,FUEL	ENGINE - FUEL TANK
5	V476001180	1	TUBE	
6	966140525	1	TUBE,FUEL	FUEL FILTER - FUEL TANK
7	V476000280	1	TUBE,22XL550	
8	1722433210	1	PIPE,13X20X600 OIL DRAIN	FUEL TANK - FUEL DRAIN
9	1714733390	1	SPRING,OIL PIPE P/T	
10	1714733210	1	HOSE	ENGINE - OIL DRAIN
11	V205001420	4	BOLT,M8X20-SPW	
12	966170280	1	TUBE,FUEL	FUEL FILTER - ENGINE
13	1491142750	4	CLIP,PIPE	
14	1497142750	4	CLIP,PIPE	
15	931888185	4	CLAMP,HOSE	
16	1522133750	2	PLUG,M12X1.25	
17	6C09058960	2	GASKET	
18	1595733745	2	DRAIN PIPE JOINT	
19	1G31843012	1	ASSY FILTER,FUEL	
20	1627143562	1	+ASSY ELEMENT,FUEL FILTER	
21	175450865	1	BOLT,FLANGE	
22	1J09432431	1	FILTER(OIL)	

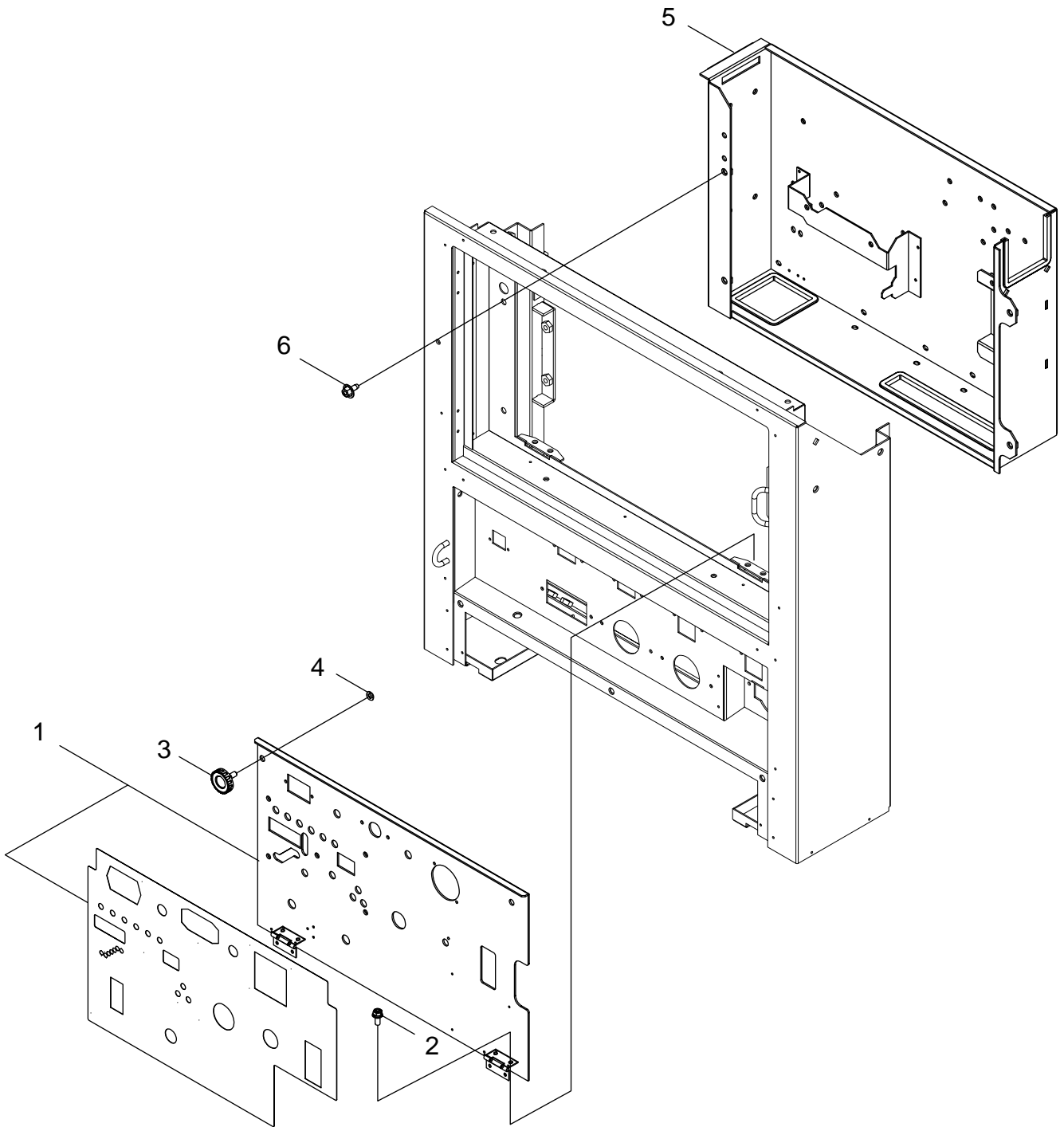
ENCLOSURE FRAME



ENCLOSURE FRAME

NO.	PART NUMBER	QTY.	DESCRIPTION
1	J495000651	1	BONNET
2	J485000630	2	+HINGE
3	9149104010	4	+SCREW,4X10 TAPPING
4	V420003070	3	STAND,RUBBER
5	9138104020	3	SCREW,4X20 TAPPING
6	V205001170	4	BOLT,M8X20-SPW
7	M470003480	1	COVER
8	V420003160	2	BUSHING,T4X8.2X18 RUBBER
9	V375000480	2	COLLAR,6X8.5
10	9103606020	2	BOLT SW,M6X20
11	90060200008	2	WASHER,M8
12	M040000630	1	FRONT DOOR,ASM
13	J485000600	2	HINGE
14	9149104010	4	SCREW,4X10 TAPPING
15	C701000420	1	LOCK COVER
16	V542000120	1	SEAL,LOCK COVER
17	V264000220	4	FLANGE NUT,M6 SERRATED
18	J500002030	1	PANEL
19	V204002040	5	BOLT,M6X16
20	J495000640	1	BONNET
21	V204002040	6	BOLT,M6X16
22	V205001170	2	BOLT,M8X20-SPW
23	M416000070	1	STOPPER,BAND
24	J500001500	1	PANEL,REAR
25	V204002040	18	BOLT,M6X16
26	C527001470	1	STAY
27	J447001460	1	GUARD
28	A172003040	1	COVER,ENG.-FAN (LEFT)
29	A172003050	1	COVER,ENG.-FAN (LEFT)

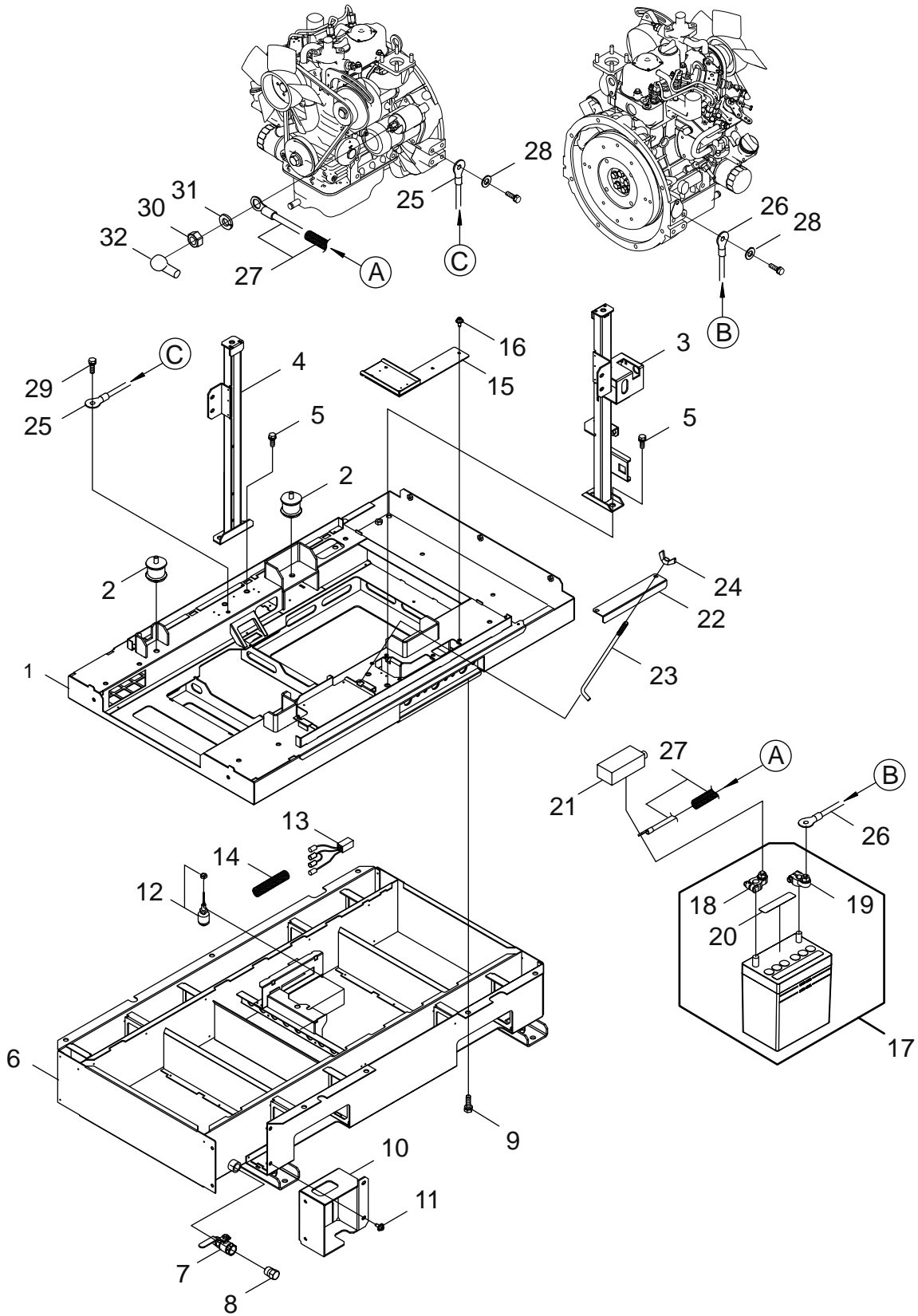
FRONT ENCLOSURE



FRONT ENCLOSURE

NO.	PART NUMBER	QTY.	DESCRIPTION	
1	C160002010	1	PANEL,OPERATION	
2	9103604012	4	BOLT,M4X12	
3	V299000480	2	KNOB COMP	
4	V324000010	2	WASHER,RETAINING	
5	J430001590	1	BOX,CONTROL	
6	V204002040	4	BOLT,M6X16	

BASE, FRAME

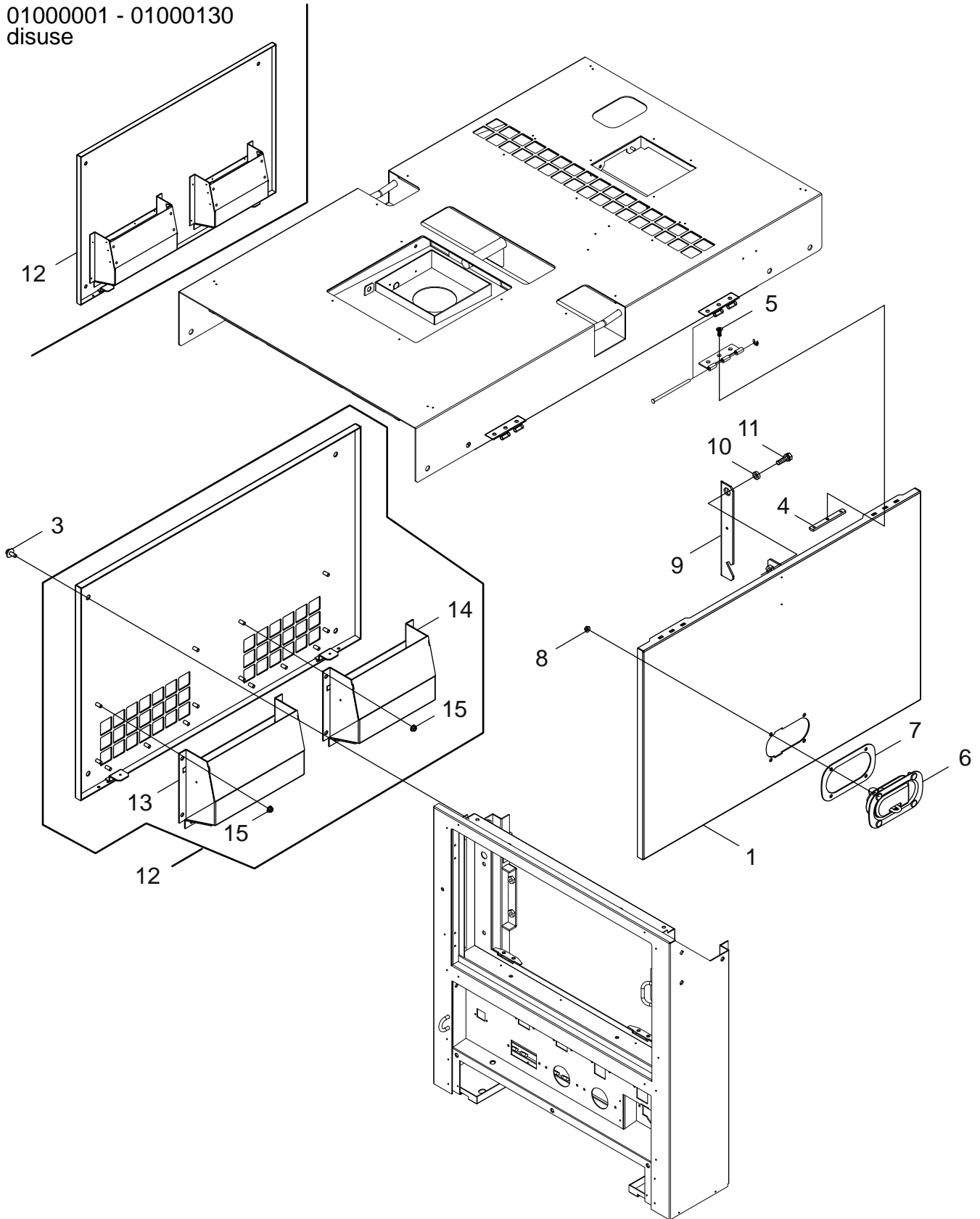


BASE, FRAME

NO.	PART NUMBER	QTY.	DESCRIPTION
1	J404001140	1	FRAME
2	V425000400	4	CUSHION
3	J415001030	1	STAY,BONNET
4	J415001040	1	STAY,BONNET
5	V206000590	4	BOLT,M10X25-SPW
6	J447001830	1	GUARD
7	E265000310	1	VALVE,BALL (WITH HANDLE)
8	E328000330	1	PLUG,1/2" DRAIN
9	V205001420	7	BOLT,M8X20-SPW
10	J447001450	1	GUARD
11	V204002040	4	BOLT,M6X16
12	G334001080	2	SWITCH,FLOAT
13	G362001100	1	HARNESS,FLOAT SWITCH WIRE
14	V475008430	1	TUBE
15	C603000980	1	PLATE,SIDE
16	V204002040	5	BOLT,M6X16
17	V046000230	1	BATTERY,ASM
18	G304000020	1	+TERMINAL,POSITIVE
19	G304000030	1	+TERMINAL,NEGATIVE
20	X505010410	1	+LABEL,PROPOSITION65/BATTERIES CAUTION
21	G305000030	1	CAP,RED TERMINAL
22	G303000510	1	HOLDER,BATTERY
23	V240000150	2	BOLT,BATTERY
24	9219008000	2	NUT,M8 WING
25	M386000000	1	LEAD
26	M384000700	1	LEAD
27	M380000170	1	LEAD WIRE,BLACK/RED (ENG. TO BATTERY+)
28	90061700010	2	WASHER,M10
29	V204002040	1	BOLT,M6X16
30	90050000008	1	NUT,M8
31	90060500008	1	WASHER,M8 SPRING
32	6721155470	1	CAP,TERMINAL

RIGHT ENCLOSURE

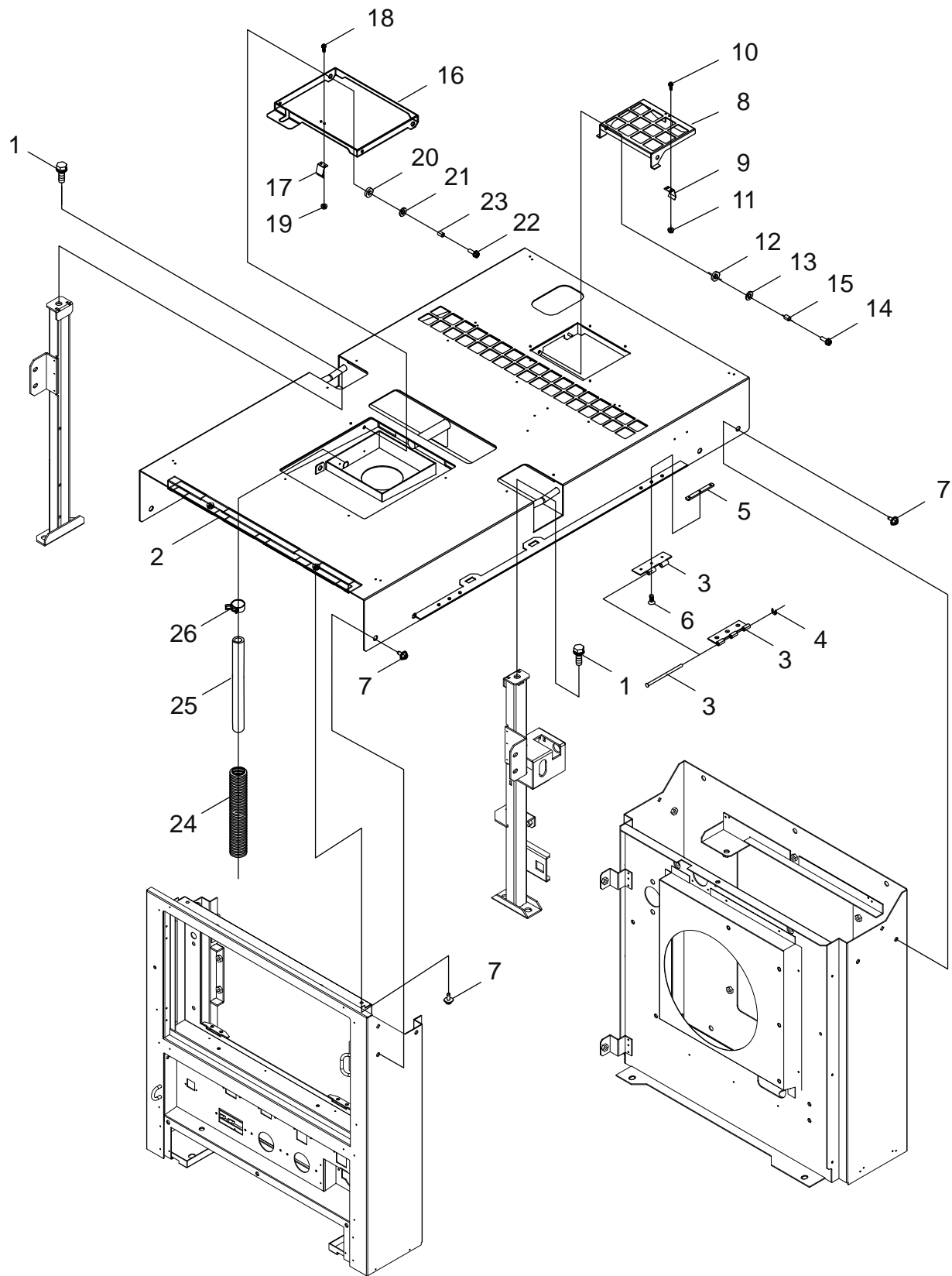
01000001 - 01000130
disuse



RIGHT ENCLOSURE

NO.	PART NUMBER	QTY.	DESCRIPTION	
1	M407000440	1	DOOR,RIGHT	
3	V204002040	4	BOLT,M6X16	
4	V150002620	2	TAPPING PLATE	
5	90021204010	6	SCREW,M4X10	
6	C701000420	1	LOCK COVER	
7	V542000120	1	SEAL,LOCK COVER	
8	V264000220	4	FLANGE NUT,M6 SERRATED	
9	G257000990	1	STOPPER,DOOR	
10	V375000460	1	COLLAR,8.5XL4.5	
11	V205001170	1	BOLT,M8X20-SPW	
12	J500002020	1	PANEL	01000001-01000130 DISUSE
12	J500003190	1	PANEL	
13	G128001760	1	+DUCT,AIR	
14	G128001800	1	+DUCT,AIR	
15	V264000220	14	+FLANGE NUT,M6 SERRATED	

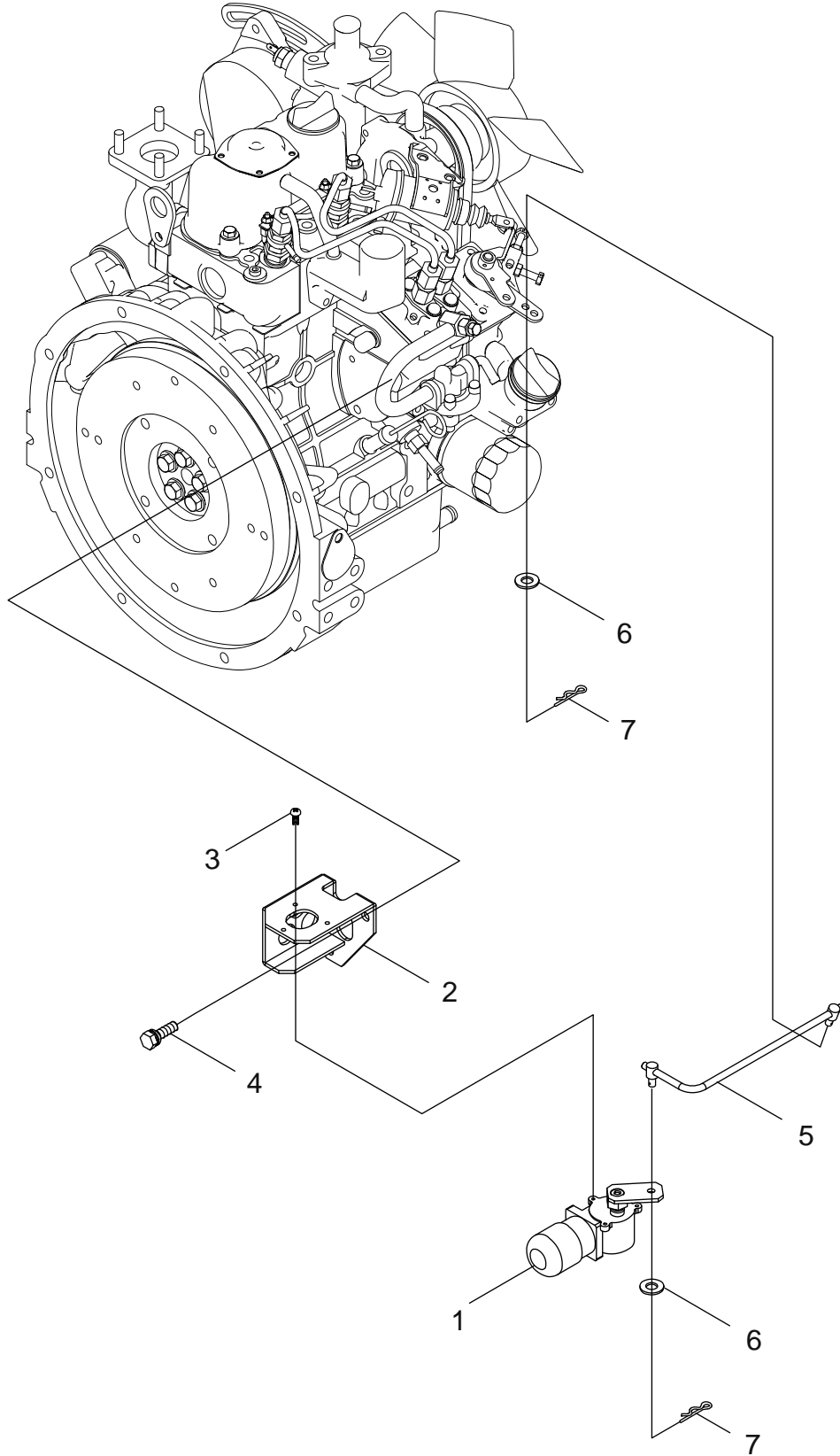
TOP ENCLOSURE



TOP ENCLOSURE

NO.	PART NUMBER	QTY.	DESCRIPTION	
1	V206000800	2	BOLT,M10X25-SPW	
2	J495000661	1	BONNET,HARIZU	
3	J485000610	2	+HINGE	
4	90070300004	2	+E-RING CE-4 SUS	
5	V150002620	2	+TAPPING PLATE	
6	90021204010	6	+SCREW,M4X10	
7	V204002040	11	BOLT,M6X16	
8	J480001740	1	LID,WATER INLET COVER	
9	C390000010	1	TONGUE	
10	9156403012	2	SCREW,M3X12 SW	
11	V261000010	2	FLANGE NUT,M3 SERRATED	
12	V420003160	2	BUSHING,T4X8.2X18 RUBBER	
13	90060200008	2	WASHER,M8	
14	9103606020	2	BOLT SW,M6X20	
15	V375000480	2	COLLAR,6X8.5	
16	A354000100	1	LID,FUEL TANK INLET	
17	C390000010	1	TONGUE	
18	9156403012	2	SCREW,M3X12 SW	
19	V261000010	2	FLANGE NUT,M3 SERRATED	
20	V420003160	2	BUSHING,T4X8.2X18 RUBBER	
21	90060200008	2	WASHER,M8	
22	9103606020	2	BOLT SW,M6X20	
23	V375000480	2	COLLAR,6X8.5	
24	V475007240	1	TUBE,22XL850	
25	1K36233210	1	PIPE,13X20X950	TOP COVER - SPILL CONTAINMENT
26	931888185	1	CLAMP,HOSE	

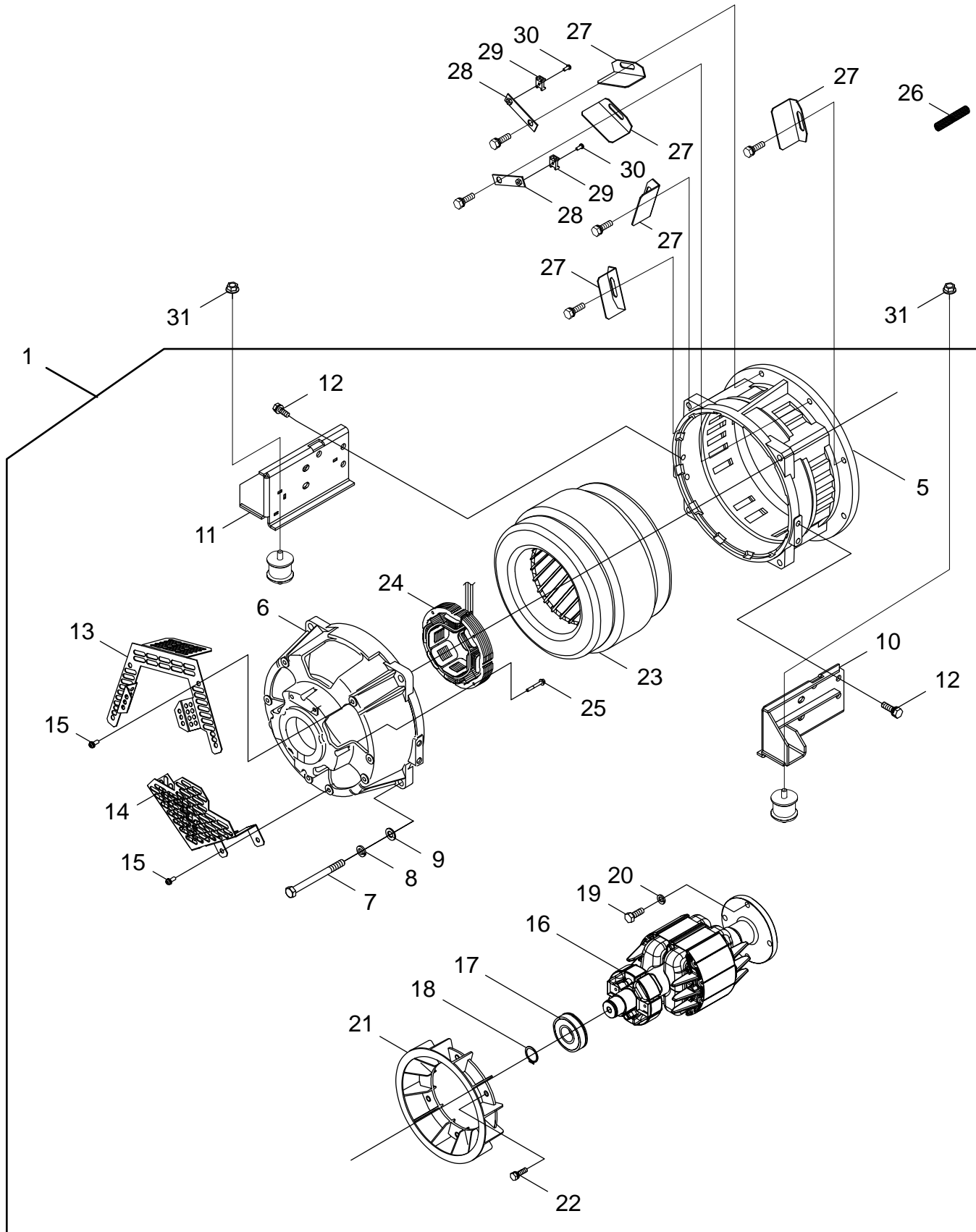
ENGINE PARTS



ENGINE PARTS

NO.	PART NUMBER	QTY.	DESCRIPTION	
1	G280000430	1	MOTOR,RPM ADJUSTMENT	
2	C527001460	1	STAY	
3	9156403012	3	SCREW,M3X12 SW	
4	V205001170	2	BOLT,M8X20-SPW	
5	C454000550	1	ROD,THROTTLE	
6	90060200006	2	WASHER,M6	
7	9300306000	2	SNAP PIN	

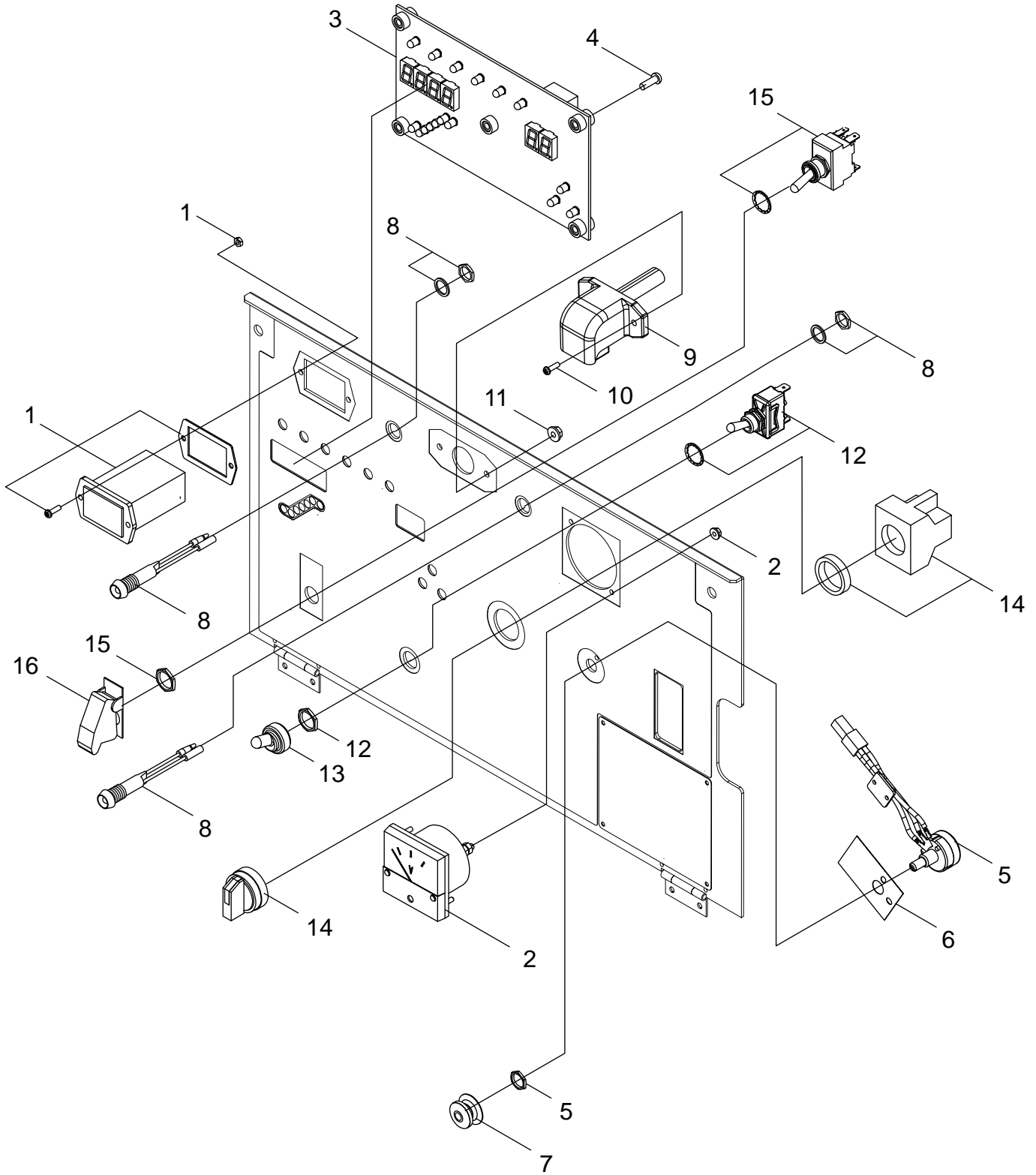
ALTERNATOR



ALTERNATOR

NO.	PART NUMBER	QTY.	DESCRIPTION
1	G020000170	1	GENERATOR,DGK7F
5	M305000680	1	+HOUSING
6	M305000690	1	+HOUSING
7	V207000300	4	+BOLT,12
8	90060500012	4	+WASHER,M12 SPRING
9	90061700012	4	+WASHER,M12
10	C527001440	1	+STAY
11	C527001450	1	+STAY
12	9102410030	8	+BOLT,M10X30-SPW
13	J447001350	1	+GUARD,REAR BRACKET (UPPER)
14	J447001360	1	+GUARD,REAR BRACKET (LOWER)
15	9156406016	8	+SCREW SW,6X16
16	M102000831	1	+ROTOR
17	V592000200	1	+BEARING,BALL
18	9242334000	1	+SNAP RING,CS-34
19	9101410030	4	+BOLT,M10X30 P1.25
20	90060500010	4	+WASHER,M10 SPRING
21	A171000091	1	+FAN,ROTOR COOLING
22	90014708025	6	+BOLT,M8X25
23	M106001420	1	+STATOR
24	M106001270	1	+STATOR,EXCITER
25	9102405040	4	+BOLT,M5X40
26	V476001230	1	TUBE
27	A565000200	5	PLATE,SEAL
28	C519002460	2	STAY,HARNESS
29	M416000010	2	TIE MOUNT
30	9134305012	2	SCREW,M5X12
31	V266000130	2	FLANGE NUT,M10 SERRATED

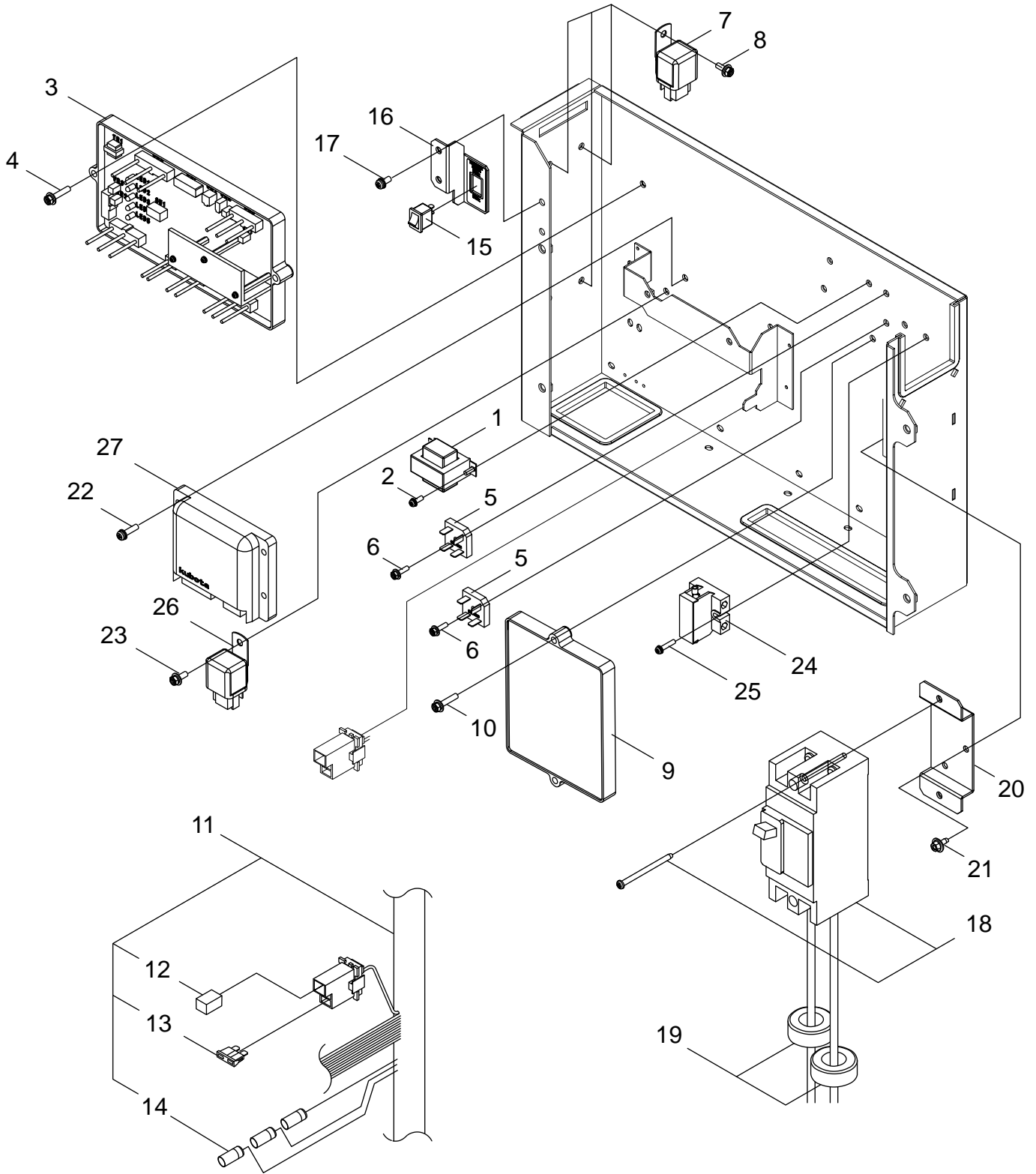
MAIN CONTROL PANEL



MAIN CONTROL PANEL

NO.	PART NUMBER	QTY.	DESCRIPTION	
1	G319000190	1	METER,HOUR	
2	M109000100	1	METER,VOLT 0 - 300V	
3	G370002531	1	UNIT,CONTROL	
4	9146104012	5	SCREW,M4X12	
5	M112000160	1	VOLUME,VOLTAGE REGULATOR	VOLTAGE REGULATOR
6	M702000050	1	INS PAPER	
7	E145000060	1	DIAL,VOLUME	
8	G327000740	1	LAMP,BD-1001 DC12V HR PILOT	
9	G327000400	1	LAMP,PILOT OUTPUT INDICATOR LAMP	
10	90023804016	2	SCREW,M4X16	
11	V262000190	2	FLANGE NUT,M4 SERRATED	
12	A440001970	1	SWITCH,ON OFF TOGGLE	DISPLAY SELECTOR
13	V494000910	1	CAP,TOGGLE SWITCH	
14	G334002060	1	SWITCH,STARTER	STARTER
15	G334001960	1	SWITCH,ACCESSORY	ACCESSORY
16	A447000140	1	COVER,SWITCH KNOB	

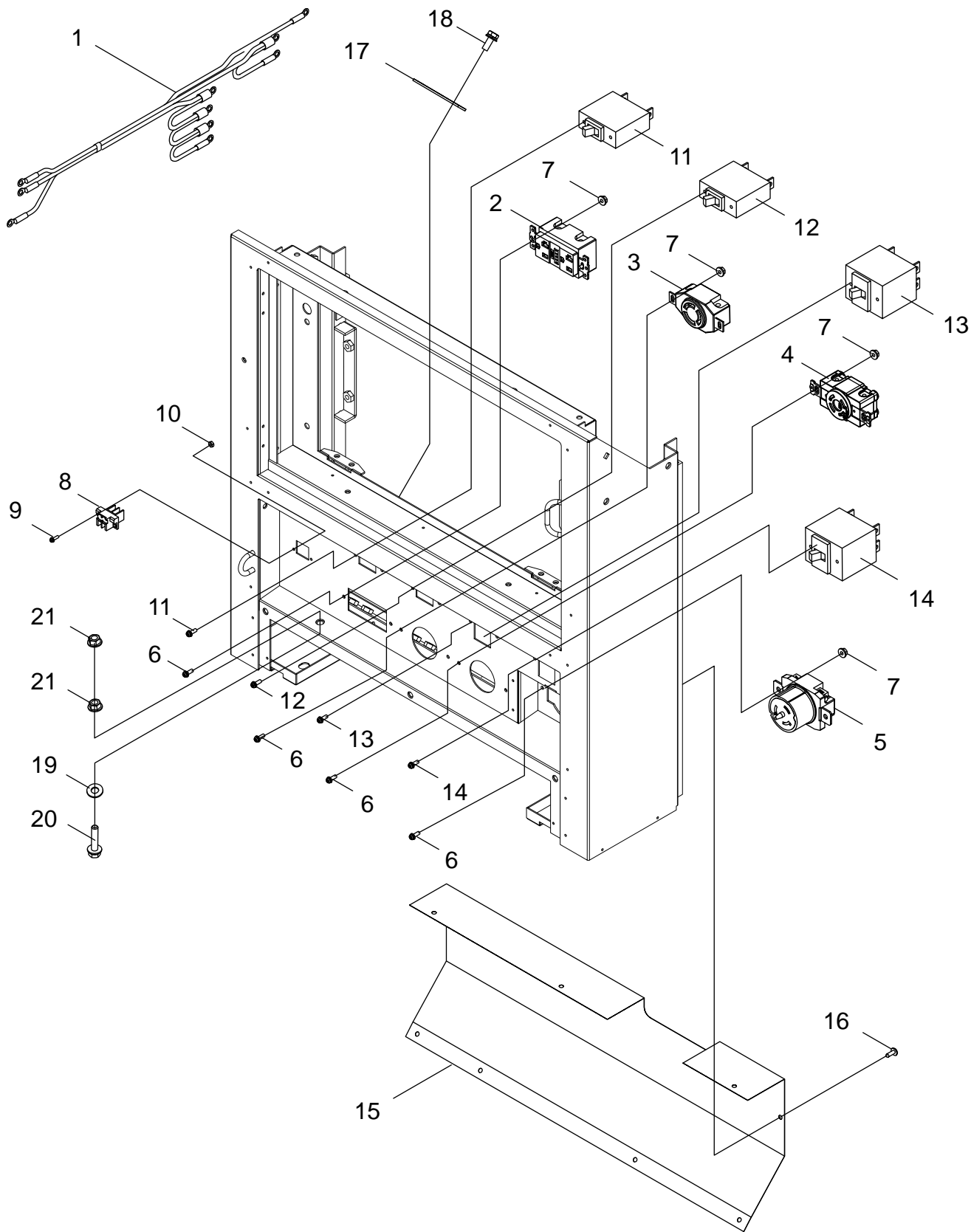
MAIN BREAKER AND CONTROL BOX



MAIN BREAKER AND CONTROL BOX

NO.	PART NUMBER	QTY.	DESCRIPTION	
1	C163000040	1	TRANS	
2	9156404012	2	SCREW,M4X12 SW	
3	G370002172	1	UNIT,AVR CONTROL	
4	9103605025	2	BOLT,M5X25 SW	
5	M105000000	2	RECTIFIER,EXCITATION	
6	9103604016	2	BOLT,M4X16	
7	G370000471	3	UNIT,12V 1A CONTROL	
8	9103705014	3	BOLT,M5X14	
9	G370002542	1	UNIT,CONTROL	
10	9103605025	2	BOLT,M5X25 SW	
11	G362001342	1	HARNESS,WIRE	
12	G350000540	1	+FUSE	
13	G350000520	1	+FUSE	
14	G347000020	3	+DIODE	
15	A440002650	1	SWITCH,ON OFF ROCKER	FREQUENCY CHANGE
16	C527001610	1	STAY,ON-OFF SWITCH	
17	9156405012	2	SCREW SW,5X12	
18	M111001550	1	BREAKER	
19	M108000190	2	CT,ASM	
20	C527002060	1	STAY	
21	V204002040	3	BOLT,M6X16	
22	9156405020	4	SCREW SW,5X20	
23	9156405012	1	SCREW SW,5X12	
24	M308000620	1	BLOCK,1P TERMINAL	
25	9156404016	2	SCREW,4X16 SPW	
26	5H63242510	1	RELAY,GLOW	
27	1747260606	1	EMERGENCY UNIT(EG-2)	

POWER OUTPUT TERMINALS

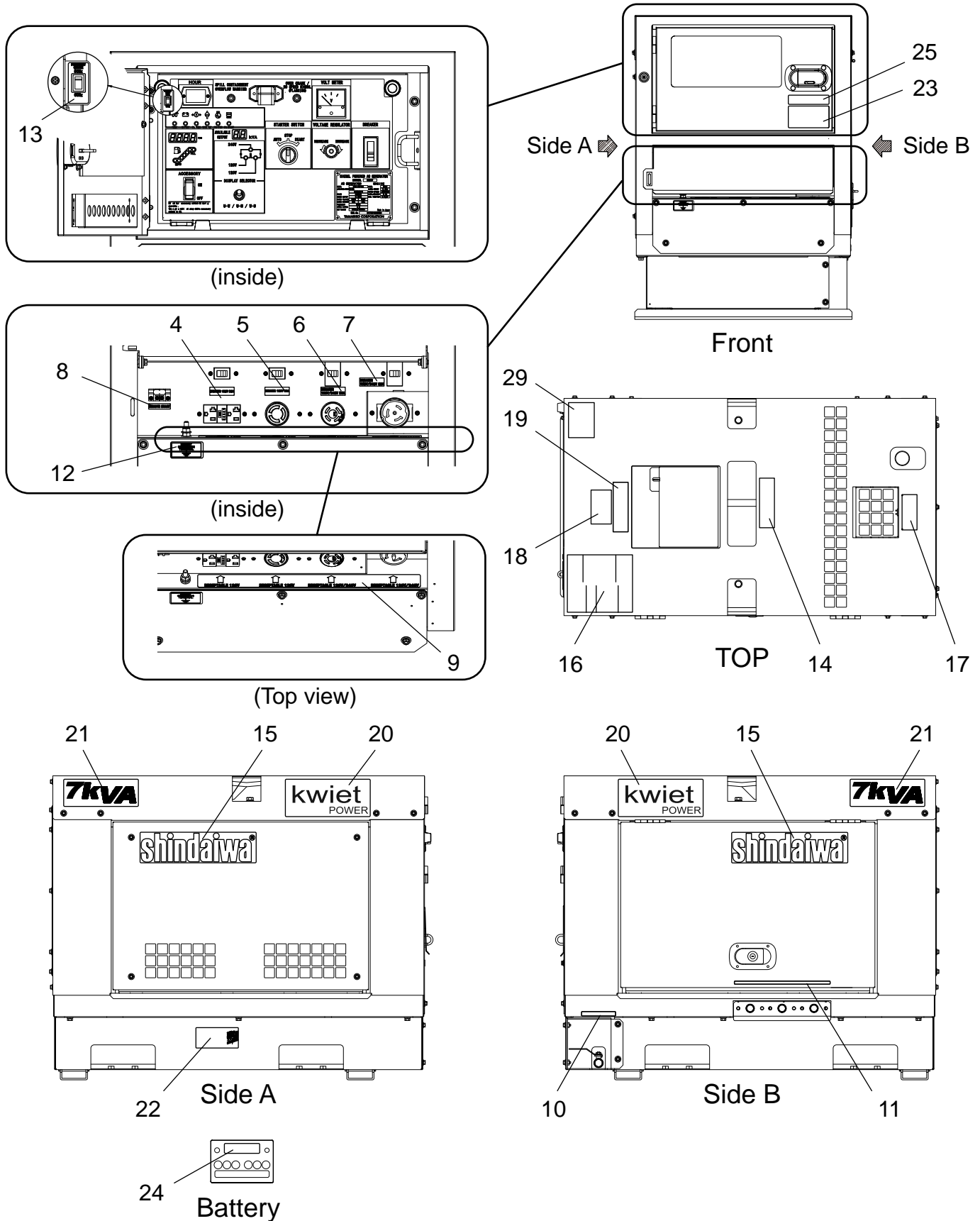


+ Denotes item is part of an assembly
 ++ Denotes item is part of a sub-assembly

POWER OUTPUT TERMINALS

NO.	PART NUMBER	QTY.	DESCRIPTION
1	G362001350	1	HARNESS,WIRE
2	C154000491	1	RECEPTACLE,GFCI 20A,125V
3	C154000480	1	PLUG SOCKET
4	C154000180	1	SOCKET
5	C154000170	1	PLUG SOCKET,TWIST LOCK 50A 125/250V
6	9156404012	8	SCREW,M4X12 SW
7	V262000190	8	FLANGE NUT,M4 SERRATED
8	M308000680	1	BLOCK,TSU-281-2P TERMINAL
9	9156403012	2	SCREW,M3X12 SW
10	V261000010	2	FLANGE NUT,M3 SERRATED
11	C137000080	1	CIRCUIT PROTECTOR,20A
12	C137000510	1	PROTECTOR
13	C137000090	1	CIRCUIT PROTECTOR
14	C137000070	1	CIRCUIT PROTECTOR,50A
15	C557000570	1	PLATE,PROTECTION
16	V491000470	11	CLIP,CANOE
17	V150003140	1	PLATE,EYE
18	V204002040	3	BOLT,M6X16
19	90060200008	1	WASHER,M8
20	9103408040	1	BOLT SW
21	V265000450	2	NUT,8

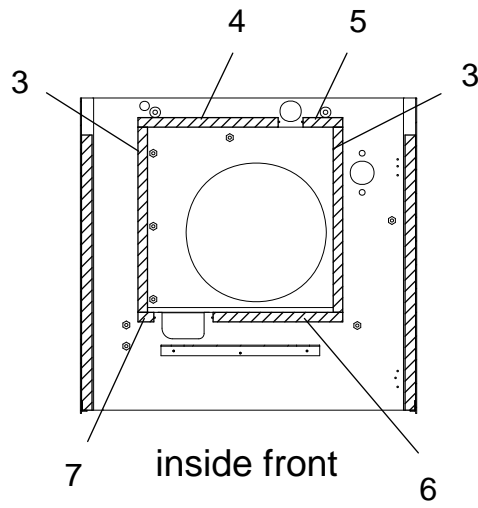
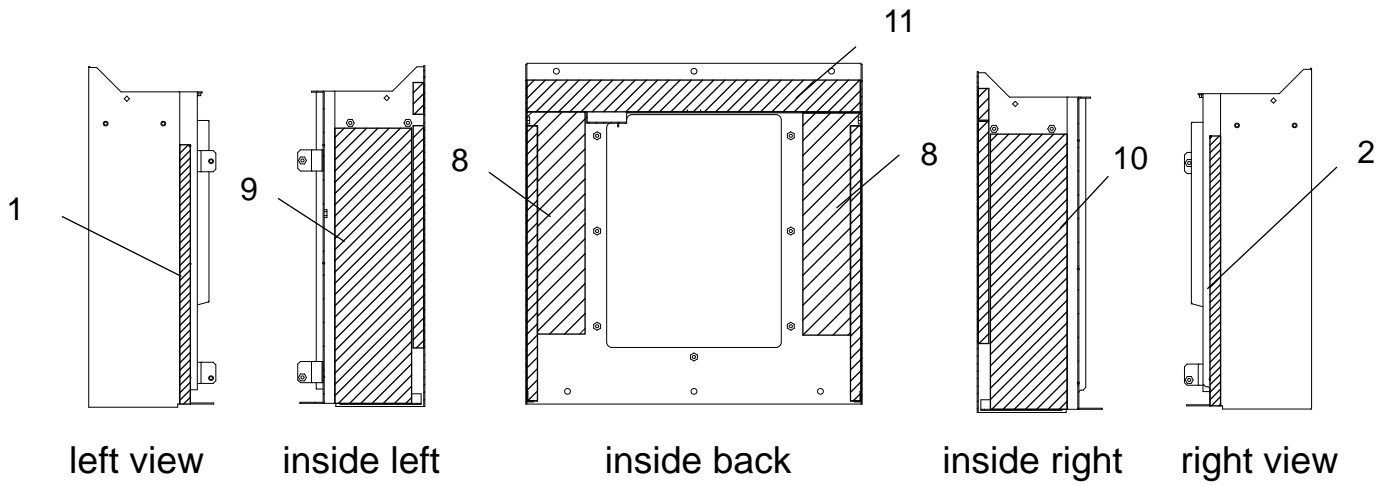
LABELS



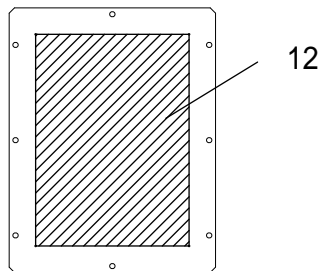
LABELS

NO.	PART NUMBER	QTY.	DESCRIPTION
4	M704003250	1	LABEL,INST
5	M704003270	1	LABEL,INST
6	M704003280	1	LABEL,INST
7	M704003290	1	LABEL,INST
8	M704003260	1	LABEL,REMOTE START INST.
9	M704003240	1	LABEL,INST
10	M707000580	1	LABEL,SPILL CONTAINMENT DRAIN INST.
11	M704001520	1	LABEL,WATER DRAIN INST.
12	M704001400	1	LABEL,INST
13	M707000430	1	LABEL,FREQUENCY CHANGE INST.
14	X505007550	1	LABEL,WARNING:INJURY CAUTION
15	X504006320	2	LABEL,SHINDAIWA BRAND
16	X505007571	1	LABEL,CAUTION
17	X505007840	1	LABEL,CAUTION:GM SPEC LLC
18	X505008400	1	LABEL,EPA REGULATION C CAUTION
19	X505007650	1	LABEL,WARNING/FIRE CAUTION
20	M705001140	2	LABEL,KWIET POWER FEATURE
21	X524007140	2	LABEL
22	M707001350	1	LABEL,SPILL CONTAINMENT DESORPTION INST.
23	X505010400	1	LABEL,PROPOSITION65/OPERATING CAUTION
24	X505010410	1	LABEL,PROPOSITION65/BATTERIES CAUTION
25	X505010800	1	LABEL,CAUTION:THIS MACHICE STARTS
29	X505011430	1	LABEL,DANGER:CARBON MONOXIDE POISONING

REAR ENCLOSURE FRAME INSULATION



Rear Bonnet



back view

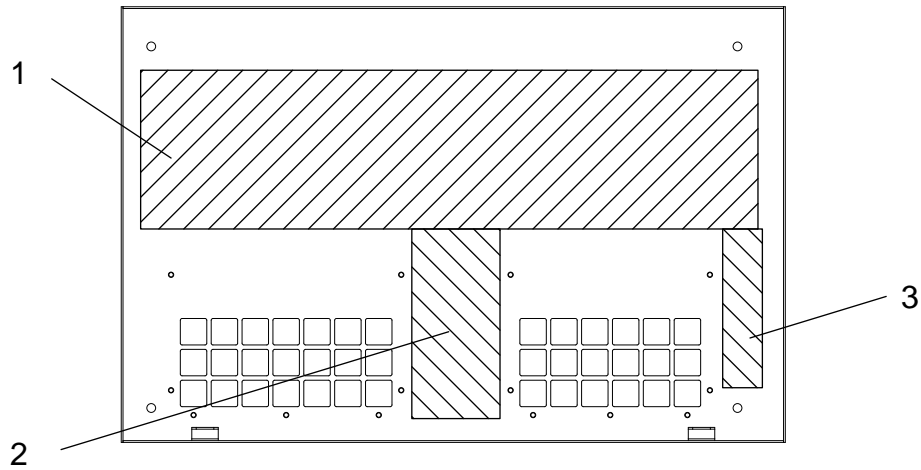
Rear panel

REAR ENCLOSURE FRAME INSULATION

NO.	PART NUMBER	QTY.	DESCRIPTION
1	J414002400	1	SEAL,T10X20X490 REAR BONNET
2	J414002380	1	SEAL,T3 10X20X510 REAR BONNET
3	V413000440	2	FOAM INSULATION,T20X18X350 REAR BONNET
4	V542000550	1	SEAL,T10X18X265 REAR BONNET
5	V542000560	1	SEAL,T10X18X75 REAR BONNET
6	V542000110	1	SEAL,T10X18X245 REAR BONNET
7	V542000570	1	SEAL,T10X18X30 REAR BONNET
8	V411000380	2	FOAM INSULATION,T20X110X420 REAR BONNET
9	A322000270	1	MUFFLER INSULATOR,T20X145X520 REAR BONNET
10	V411000440	1	FOAM INSUALTION,T20X145X520 REAR BONNET
11	V411000450	1	FOAM INSUALTION,T20X60X630 REAR BONNET
12	V413000370	1	FOAM INSUALTION,T20X290X400 REAR PANEL

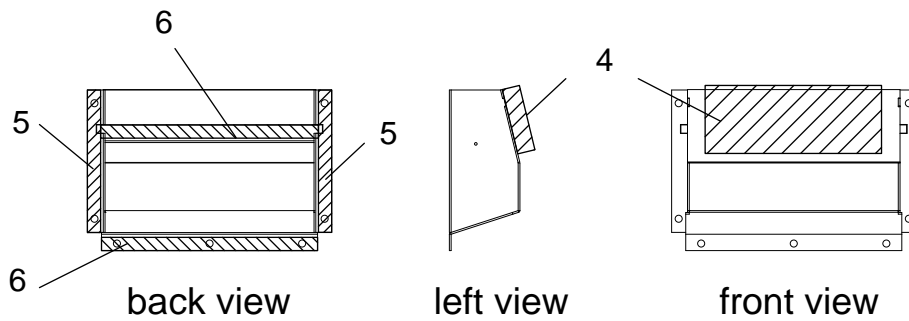
LEFT ENCLOSURE INSULATION

D17601000131 -



back view

Panel

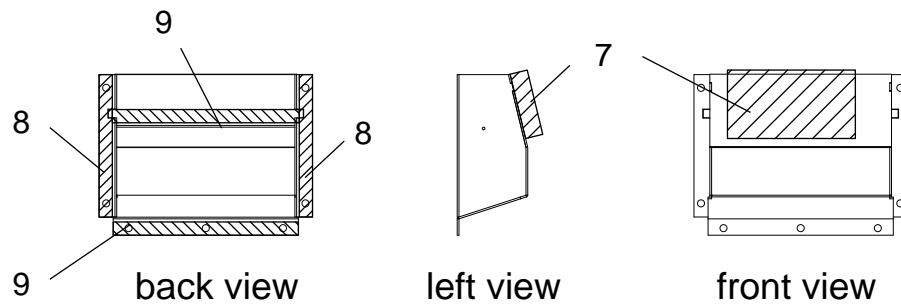


back view

left view

front view

Air duct : left



back view

left view

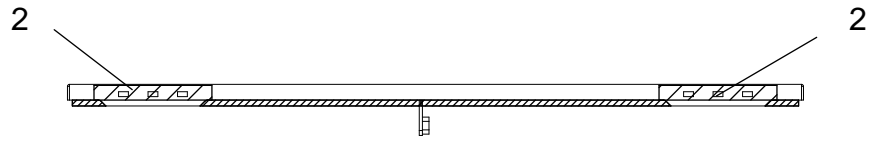
front view

Air duct : right

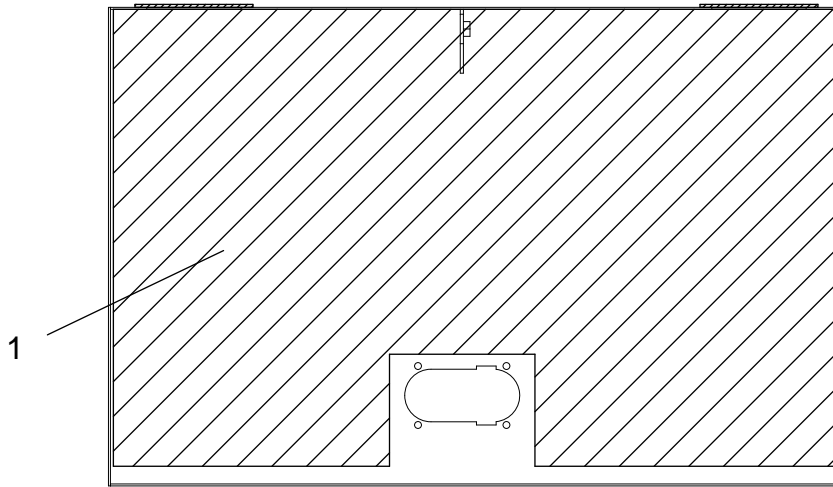
LEFT ENCLOSURE INSULATION

NO.	PART NUMBER	QTY.	DESCRIPTION	
1	V411000470	1	SEAL,T10X20X490 REAR BONNET	
2	V411000480	1	SEAL,T3 10X20X510 REAR BONNET	
3	V411000490	1	FOAM INSULATION,T20X18X350 REAR BONNET	
4	V411000500	1	SEAL,T10X18X265 REAR BONNET	
5	J481000580	2	SEAL,T10X18X75 REAR BONNET	
6	J481000630	2	SEAL,T10X18X245 REAR BONNET	
7	V411000510	1	SEAL,T10X18X30 REAR BONNET	
8	J481000580	2	FOAM INSULATION,T20X110X420 REAR BONNET	
9	J481000610	2	MUFFLER INSULATOR,T20X145X520 REAR BONNET	

RIGHT ENCLOSURE INSULATION



top view



back view

Panel

RIGHT ENCLOSURE INSULATION

NO.	PART NUMBER	QTY.	DESCRIPTION	
1	V411000460	1	FOAM INSUALTION,T20X465X739 PANEL	
2	V541000870	2	SEAL,T3X15X120 PANEL	